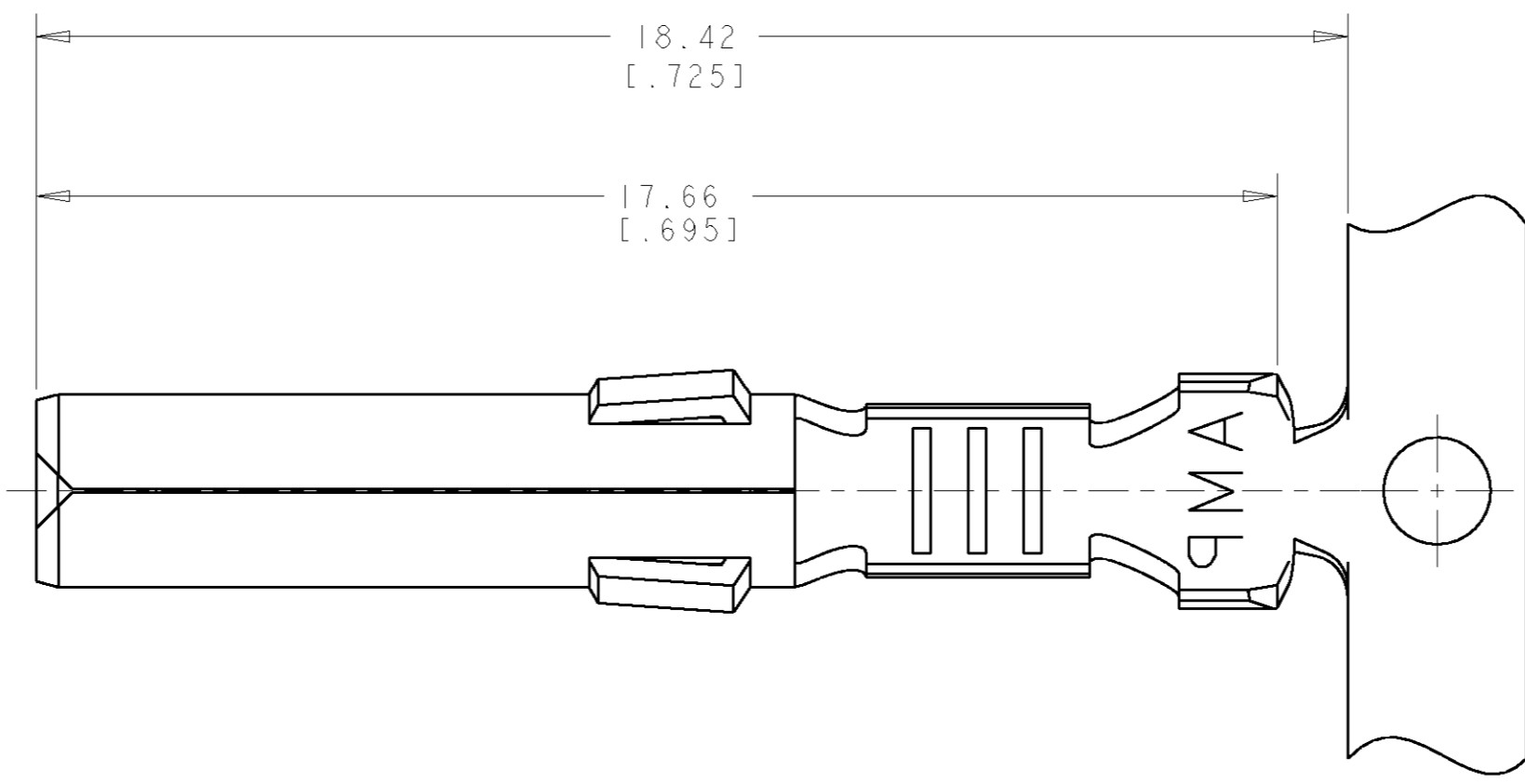
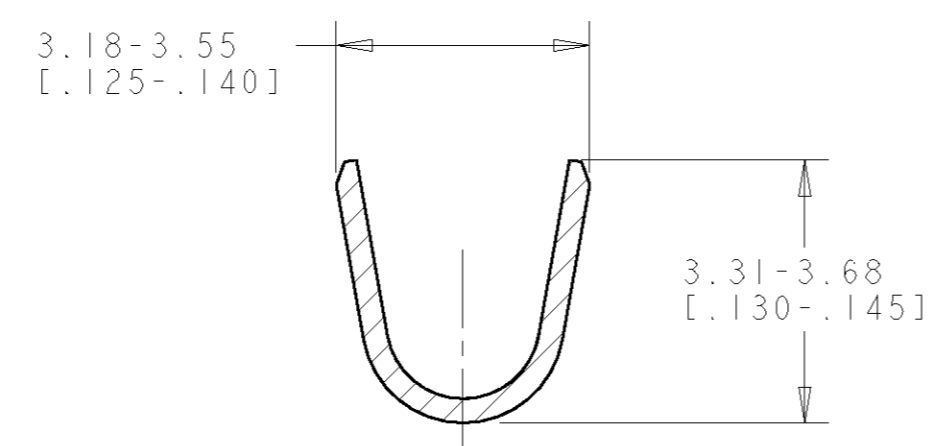
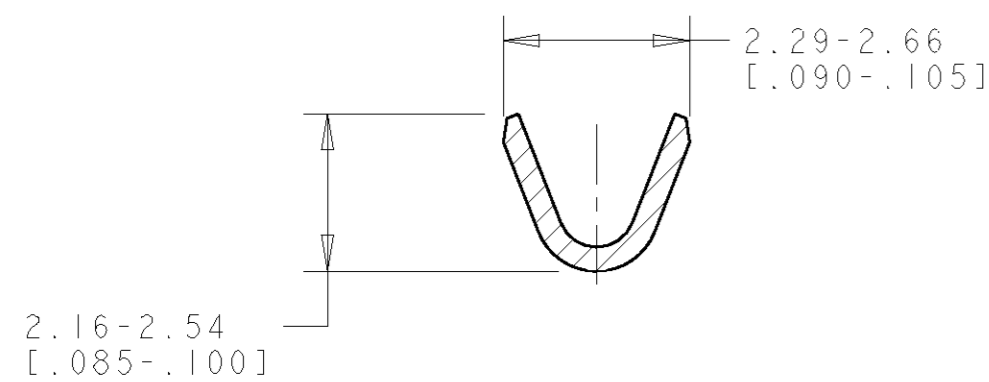
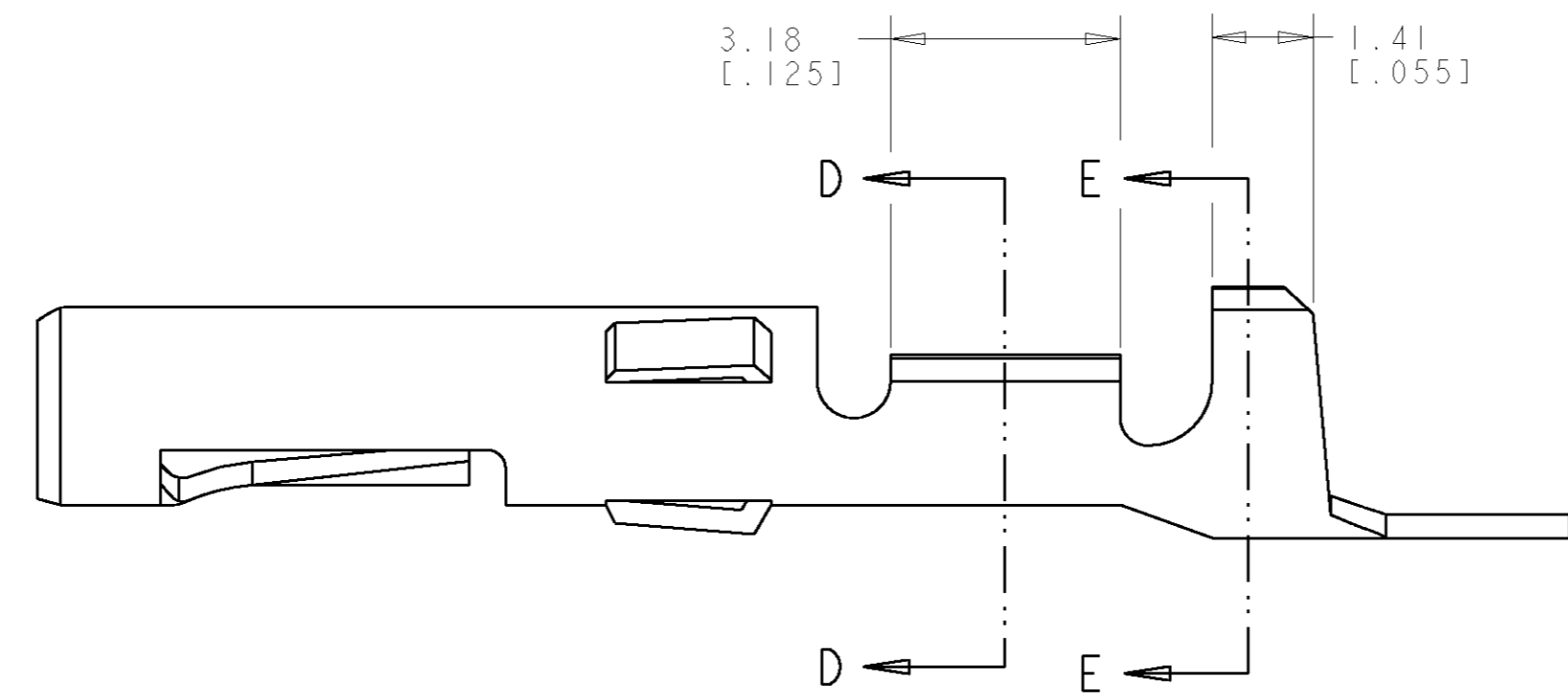
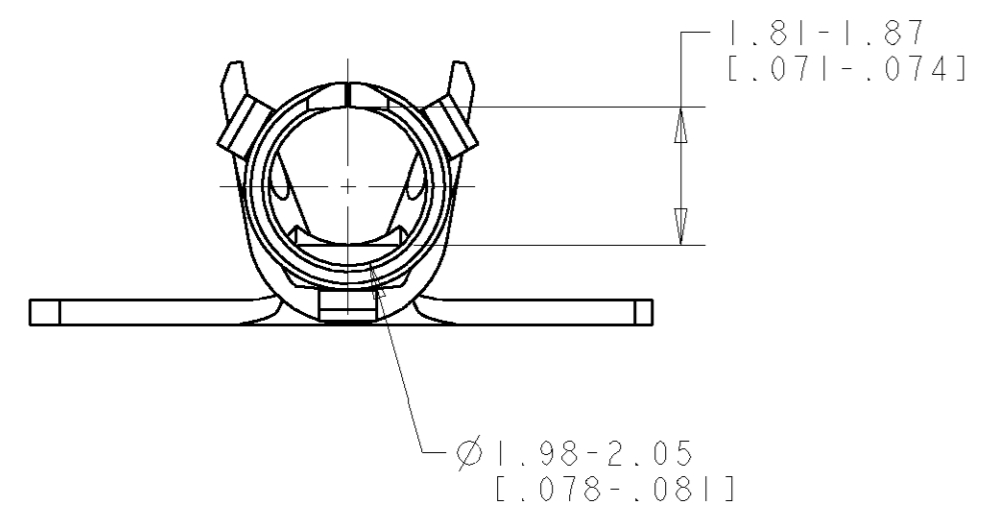


THIS DRAWING IS UNPUBLISHED. RELEASED FOR PUBLICATION 20  
 © COPYRIGHT 20 BY TYCO ELECTRONICS CORPORATION. ALL RIGHTS RESERVED.

LOC	DIST	REVISIONS					
		P	LTR	DESCRIPTION	DATE	DWN	APVD
CM	00		B	REVISED PER 063B-0995-03	19-DEC-03	KW	DC



1. DIMENSIONS IN BRACKETS ARE IN INCHES.
2. INSULATION DIAMETER 2.54 [0.100] MAX.
3. WIRE RANGE 0.9 - 0.2 mm<sup>2</sup> [24 - 18 AWG].



SECTION D-D

SECTION E-E

**METRIC**

0.3 [0.012] BRASS, PRE-TIN	1586334-1
MATERIAL AND FINISH	PART NUMBER

THIS DRAWING IS A CONTROLLED DOCUMENT FOR TYCO ELECTRONICS CORPORATION. IT IS SUBJECT TO CHANGE AND THE CONTROLLING ENGINEERING ORGANIZATION SHOULD BE CONTACTED FOR THE LATEST REVISION.		DWN K. WHITAKER 29SEP2003	Tyco Electronics Harrisburg, PA 17105-3608
DIMENSIONS: mm [INCHES]		CHK D. COLEY 29SEP2003	
TOLERANCES UNLESS OTHERWISE SPECIFIED:		APVD D. COLEY 29SEP2003	
0 PLC ± 1 PLC ± 2 PLC ±0.13 [0.005] 3 PLC ± 4 PLC ± ANGLES ± FINISH ±		PRODUCT SPEC - APPLICATION SPEC - WEIGHT -	
MATERIAL SEE TABLE	SEE TABLE	CUSTOMER DRAWING	NAME SOCKET, SPECIAL, MATE-N-LOK™ SIZE A2 CAGE CODE 00779 DRAWING NO 1586334 RESTRICTED TO - SCALE 10:1 SHEET 1 OF 1 REV B